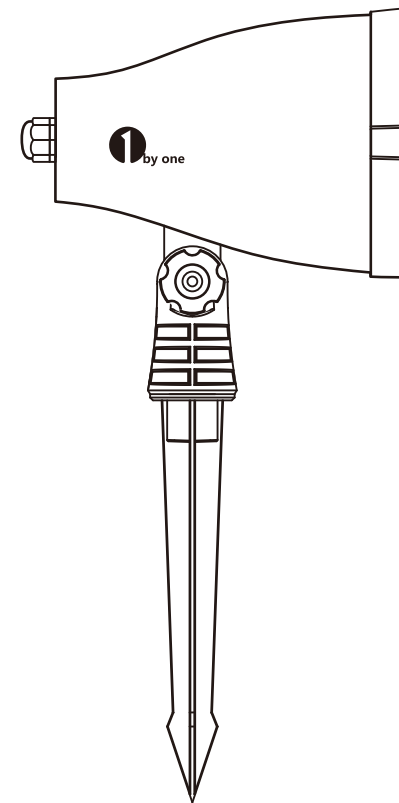




# GARDEN LASER LIGHT

User Manual



SKU: 302US-0002

1byone Products Inc.  
1230 E Belmont Street, Ontario, CA 91761  
Customer Service: +1 909-391-3888  
[www.1byone.com](http://www.1byone.com)

## THANKS FOR PURCHASING 1byone GARDEN LASER LIGHT:

Please read this manual carefully before operating the product. This manual provides general information for optimal performance and safety. The GARDEN LASER LIGHT is for both indoor and outdoor use and is IP65 weather-resistant rated.

### CONTENTS:

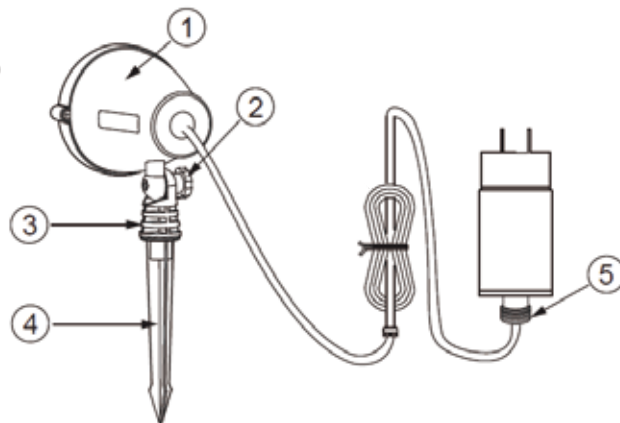
- 2 x Laser Light Unit with Screw and Bracket
- 2 x Spike
- 2x Adapter
- 1 x User Manual
- 2 x IR Remote Controller (include a CR2025 battery)

### LASER COLOR SELECTION:

- Single red laser light
- Single green laser light
- Red and Green laser lights

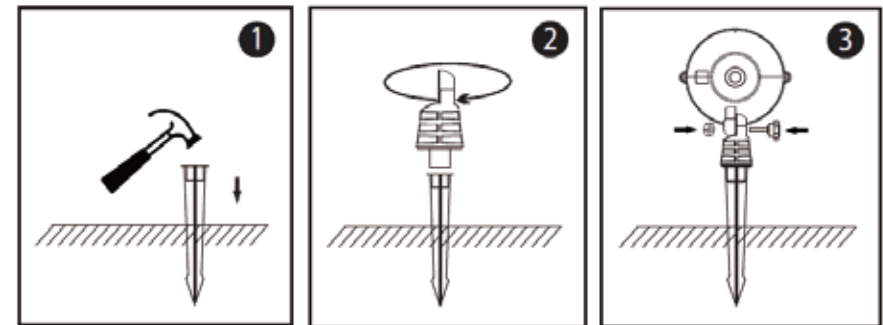
### PART NAMES:

- ① Laser light (IP65)
- ② Screw
- ③ Bracket
- ④ Spike
- ⑤ Adapter (IP44)



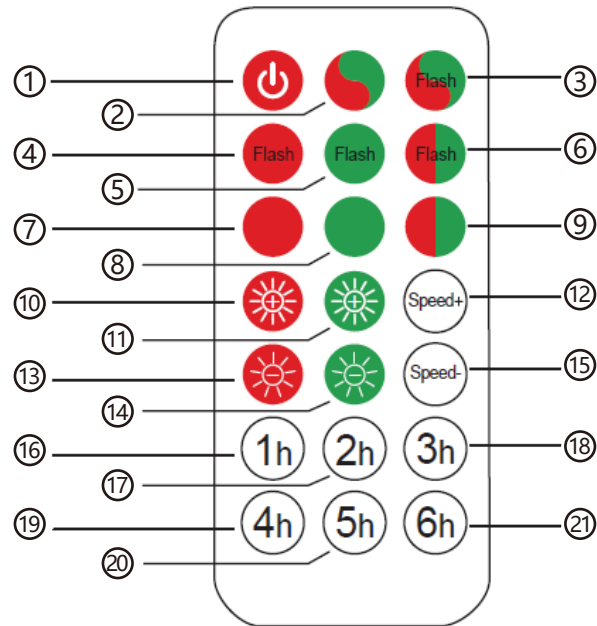
### INSTALLATION:

1. Insert the sharp end of the spike into the ground. Users can gently hammer the spike down if the ground is hard. (Picture 1)
2. Screw the bracket onto the spike. (Picture 2)
3. Fix the laser light on the bracket with the screw, and adjust to the desired angle. (Picture 3)



4. Connect the power cord into a 120V power outlet and the laser light will automatically turn on.
5. Unplug when not in use.
6. Use the remote control to switch between different light modes and timers.

## Remote Control:

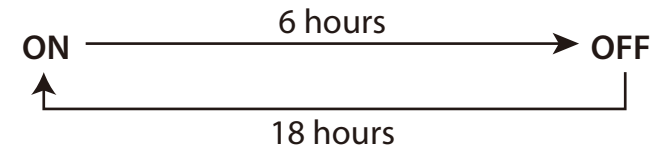


- ① Power on/off                      ② Red & green continuously cycle
- ③ Red & green continuously cycle and flash
- ④ Red flash            ⑤ Green flash            ⑥ Red & green flash
- ⑦ Red solid            ⑧ Green solid            ⑨ Red & green solid
- ⑩ Red brighter    ⑪ Green brighter    ⑫ Flash speed increase
- ⑬ Red dimmer    ⑭ Green dimmer    ⑮ Flash speed decrease
- ⑯ 1 hour timer    ⑰ 2 hour timer    ⑱ 3 hour timer
- ⑲ 4 hour timer    ⑳ 5 hour timer    ㉑ 6 hour timer

## Timer Operation :

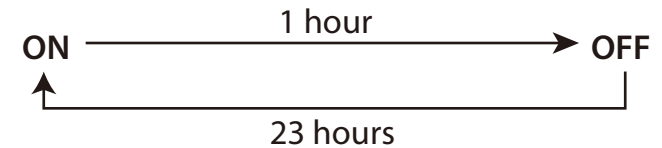
● **Built-in timer function:** The garden laser light has a built-in default timer; If the user does not set a timer and does not unplug or turn off the light, it will automatically enter sleep mode after 6 hours of operation and wake again after 18 hours.

Built-in 6 hour timer:



● **1-6H setting:** The user can also set the timer as 1H, 2H, 3H, 4H, 5H, or 6H using the remote control.

For example, if the user presses '1H', the light will enter sleep mode after 1 hour and then wake again after 23 hours:



**Notice 1:** If you set any timer mode and later turn off the light using the "Power on/off" button, this timer will become active the next time the light is turned on.

**Notice 2:** The light will switch off for 3 seconds when pressing a timer button to show the timer has been successfully set.

**Notice 3:** Once the unit is unplugged, the timer will be reset to the default 6H setting.

● **Last Memory function:** When you power off using the Power on/off button, the garden laser light will remember all of your settings (light patterns, brightnesses, flashing speeds, timers) for next time.

**Notice :** Once the unit is unplugged, settings memory will be cleared.

## **ATTENTION:**

Point the infrared remote control directly towards the head of the laser light and make sure there is a clear line of sight between the remote control and laser light as infrared signal cannot travel through walls or other obstacles.

## **CAUTION & WARNINGS:**

- Please read through the instruction manual before use.
- Do not use seasonal products outdoors unless marked suitable for indoor and outdoor use. When products are used in outdoor applications, connect the product to a Ground Fault Circuit Interrupting (GFCI) outlet. If one is not installed, please contact a qualified electrician for proper installation.
- This seasonal-use product is not intended for permanent installation or use.
- Do not secure the product's electric cord with staples or nails, or place it on nails or sharp hooks.
- Do not place large objects such as floor lamps, tables, or chairs on the product's electric cord.
- Do not hang ornaments or any other objects from the product's electric cord.
- Do not close doors or windows on the product's electric cord as this may damage the wire insulation.
- Do not keep the product plugged in when left unattended (such as when leaving home or when asleep).
- Do not cover the product with cloth, paper or any material not part of the product when in use.
- DO NOT use the product if damaged. The laser light head, electric cord, adapter and plugs must not be damaged in any way prior to use.
- This product is not a toy. Please keep it out of the reach of children and pets.

- Close supervision is necessary when product is in use near children or dependents.
- Garden Laser Light is a class IIIa laser product. Do not stare into the laser beams or view directly with optical instruments.
- Avoid direct eye exposure.
- Keep at least 1 meter (approximately 3 feet) distance between the product and flammable materials.
- Ingress protection: IP65. Can protect against rainy days but DO NOT submerge directly in water.
- Turn off the power before installation or maintenance.
- Use this product only for the intended use as described in these instructions. Disconnect this product from power immediately in case of malfunction.
- DO NOT open the housing.
- Check local laws and contact the FAA to ensure safe operation in flight paths.
- Do not project the laser towards the sky as it may interfere with air traffic.
- To reduce the risk of fire and electric shock:
  - a) Do not install on trees containing coverings that are or appear to be made of metal.
  - b) Do not intertwine the product's electric cable with other cables or wires in a manner that may cut or damage the cable's insulation.

## MAINTENANCE & CLEANING :

- Maintenance and cleaning shall only be done to the product surface.
- Unplug this product from the power socket before cleaning.
- Do not wet any electrical parts of this product. Please use a dry, soft cloth for cleaning. Do not use sharp tools.
- Clean the lens regularly. It is recommended to clean the lens every 30 days.
- When not in use, store neatly in a cool, dry location protected from sunlight.
- Please keep away from heaters and other heating sources.
- When the product is placed on a live tree, the tree should be well maintained and fresh. Do not place on live trees in which the needles are brown or break off easily. Keep the tree stand filled with water.
- If the product is placed on a tree, the tree should be well secured and stable.
- When storing the product, carefully remove the product from wherever it has been placed, such as the ground, trees, branches, or bushes, to avoid any undue strain or stress on the product's conductors, connections, and wires.

## SPECIFICATIONS:

- Power input: 120V~60Hz
- Power output: DC 5V 2A
- Laser class: IIIa  
Laser Power: Red: Maximum radiant power:1.3mW;  
Green: Maximum radiant power: 0.7mW
- IP protection: IP65 for the device body and IP44 for the adapter
- Working temperature: -35°C (-31°F) to 35°C (95°F)
- Remote control distance: 30ft (9m)
- Distance and coverage: 3.5ft: 57-85sqft  
10ft: 265-325.6sqft  
15ft: 776.8-971.44sqft  
20ft: 1240-1550.00sqft  
25ft: 1687.2- 2109.72sqft

## WEEE Directive & Product Disposal

At the end of its serviceable life, this product should not be treated as household or general waste.

It should be handed over to the applicable collection point for the recycling of electrical and electronic equipment.



**Customer Service/Kundenservice  
Service Clients/Atención al cliente  
Assistenza Clienti/カスタマーサービス**

**US**

To ensure speedy handling of your issue, please call or email us for assistance.

Phone: +1 909-391-3888

(Mon-Fri 9:00am - 6:00pm PST)

Email: ushelp@1byone.com

**UK**

To ensure speedy handling of your issue, please call or email us for assistance.

Phone: +44 158 241 2681

(Mon-Fri 9:00am - 6:00pm UTC)

Email: ukwebhelp@1byone.com

**CA**

To ensure speedy handling of your issue, please email us for assistance.

Email: cahelp@1byone.com

**DE**

Für eine zügige Bearbeitung ihres Problems, melden Sie sich bei uns wie folgt.

Email: euhelp@1byone.com

**FR**

Pour vous assurer une assistance rapide en cas de problème, veuillez envoyer un e-mail.

Email: euhelp@1byone.com

**ES**

Para garantizar una rápida atención de su problema, favor envíenos un email para ayudarlo.

Email: euhelp@1byone.com

**IT**

Per supporto immediato in caso di bisogno, la invitiamo a contattarci via email.

Email: euhelp@1byone.com

**JP**

お客様の問題が直ちに解決されるため、ぜひメールにて弊社までご連絡ください。

Eメール : jphelp@1byone.com