

NATURALIFE

Baseball and Softball Practice Net



1byone Products Inc.
1230 E Belmont Street, Ontario, CA 91761
Customer Service: +1 909-391-3888
www.1byone.com

Instruction Manual

Introduction

Thank you for purchasing NATURALIFE Baseball and Softball Practice Net. This instruction manual contains important information about safety, usage, and disposal. Use the product as described and keep this manual for future reference. If you sell this Baseball and Softball Practice Net or pass it on, also give this manual to the new owner.

Safety Instructions

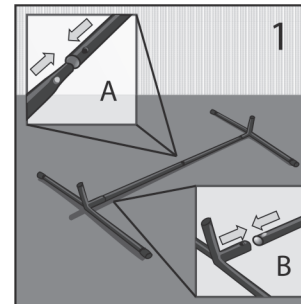
- This net must be placed on a level surface during use.
- Do not climb on the net or use it in an unintended manner.
- Always protect the net from tipping and falling, even when not in use.
- When using this net, always be sure all metal pipes are tightly connected and do not protrude.
- This product is not a toy and should only be assembled by adults.
- The item must be checked for proper assembly by an adult before use.

Included Items

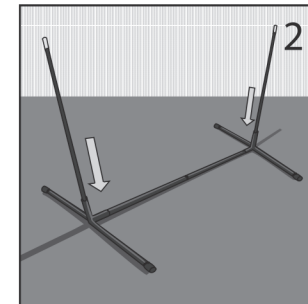
1 x Baseball and Softball Practice Net	4 x Black Rods
1 x Strike Zone Attachment	4 x Ground Stakes
2 x Straight Pipes	1 x Carrying Bag
2 x Angled Pipes	1 x Instruction Manual

Before using the Baseball and Softball Practice Net for the first time, check the package contents to ensure all parts are free of visible damage.

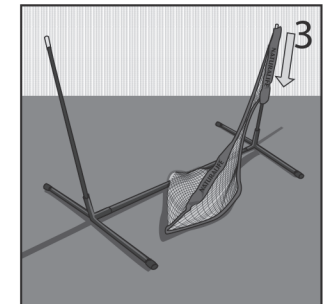
Installation Guide



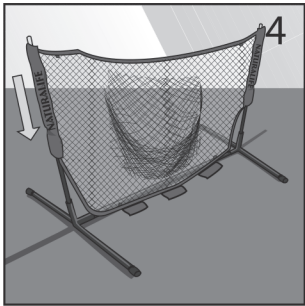
1. Fit the two straight pipes together. (Fig. A) Next, attach the two angled pipes to the ends of the straight pipes. (Fig. B)



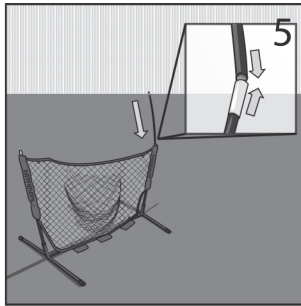
2. Attach the two lower black rods into the tops of the angled pipes. The coupling tubes of the lower black rods should face up.



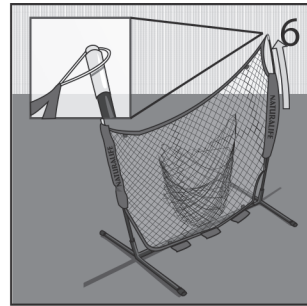
3. Thread the net's sleeve over one black rod. Make sure the Velcro flap is at the bottom.



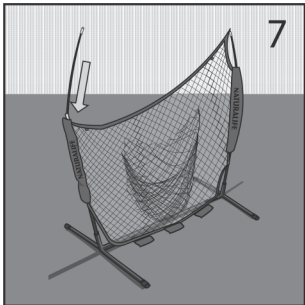
4. Repeat by threading the opposite sleeve over the other black rod.



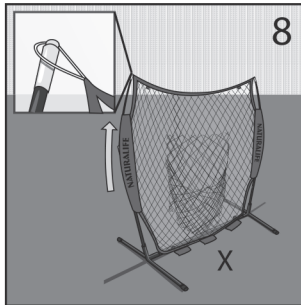
5. Attach one upper black rod by sliding it into the lower black rod's coupling tube.



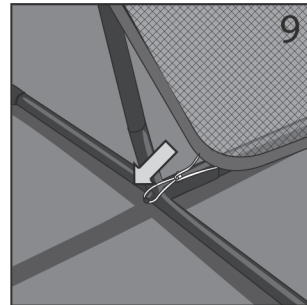
6. Hold the upper black rod in place and pull the net's upper braided rope over the top of the rod to hold it in place.



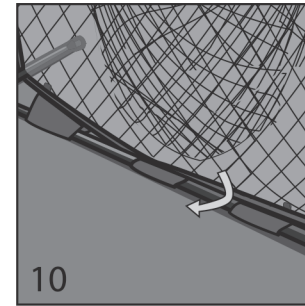
7. Insert the last upper black rod into the lower rod's coupling tube.



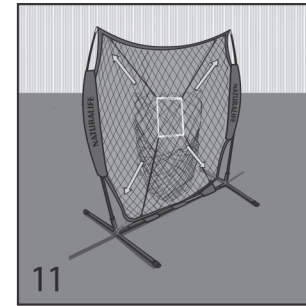
8. Repeat by pulling up the sleeve and pulling the upper braided rope over the top of the upper rod.



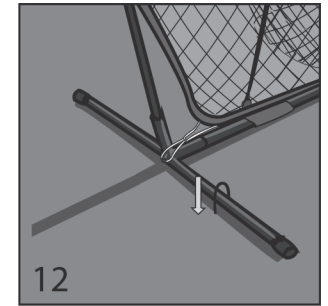
9. Pull the net's lower elastic loops around the angled pipes' studs.



10. Wrap the Velcro flaps around the frame. ("X" in Fig.8)



11. To attach the strike zone, extend the strike zone's four loops to the four corners of the net and attach the hooks of the loops to the rope on upper and lower nets.



12. Insert the four ground stakes over the four legs and push them into the ground to prevent the net from tipping over.

Disposal

Disposal of the Product



Under no circumstances should you dispose of the product in normal domestic waste.



This product is subject to the provisions of European Directive 2012/19/EU.

Dispose of the product via an approved disposal company or your municipal waste facility. Please observe currently applicable regulations.

Please contact your waste disposal center if you need any further information.



The product's packaging is made from environmentally friendly material and can be disposed of at your local recycling plant.

Customer Service/Kundenservice/Service Clients

Atención al cliente/Assistenza Clienti/ カスタマーサービス

US

To ensure speedy handling of your issue, please call or email us for assistance.

Phone: +1 909-391-3888

(Mon-Fri 9:00am - 6:00pm PST)

Email: ushelp@1byone.com

CA

To ensure speedy handling of your issue, please email us for assistance.

Email: cahelp@1byone.com

UK

To ensure speedy handling of your issue, please call or email us for assistance.

Phone: +44 158 241 2681

(Mon-Fri 9:00am - 6:00pm UTC)

Email: ukwebhelp@1byone.com

DE

Für eine zügige Bearbeitung ihres Problems, melden Sie sich bei uns wie folgt.

Email: euhelp@1byone.com

FR

Pour vous assurer une assistance rapide en cas de problème, veuillez envoyer un e-mail.

Email: euhelp@1byone.com

ES

Para garantizar una rápida atención de su problema, favor envíenos un email para ayudarlo.

Email: euhelp@1byone.com

IT

Per supporto immediato in caso di bisogno, la invitiamo a contattarci via email.

Email: euhelp@1byone.com

JP

お客様の問題が直ちに解決されるため、ぜひメールにて弊社までご連絡ください。

Eメール：jphelp@1byone.com