

# Amplified VHF & UHF Combo TV Antenna with J-Pole Mount

## SKU: 00000-0555

### What's in the box?

Antenna x1    Power Supply Unit (PSU) x1    1.5m coaxial cable (from PSU to TV) x1    21" J-shape Pole x 1  
 Mounting Base x 1    User Manual x 1     $\Phi 6 \times 19\text{mm}$  screw x 2     $\Phi 6 \times 43\text{mm}$  screw x 1  
 $\Phi 6\text{mm}$  hexagon nut x3     $\Phi 7 \times 45\text{ mm}$  Plastic Anchor Bolt x 2

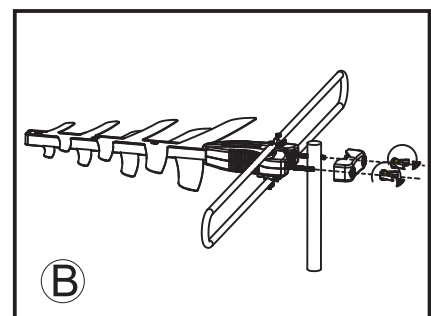
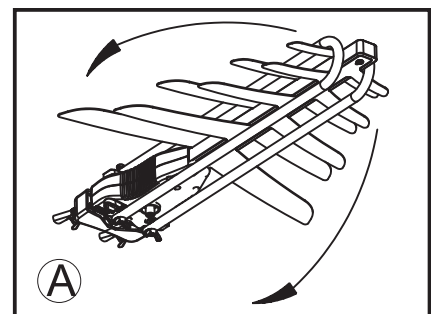
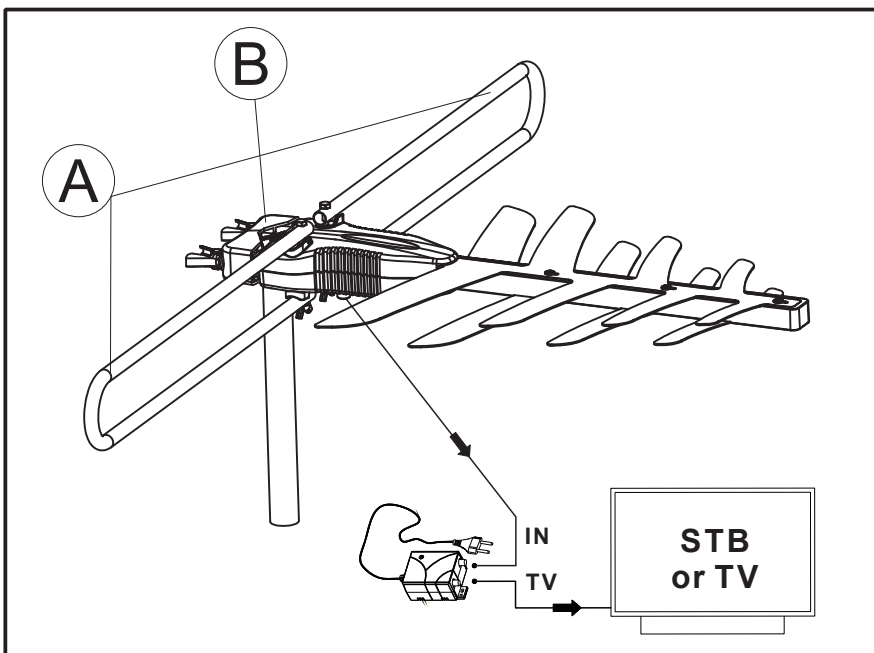
### Antenna Specification

Frequency Range	Impedance	No. of Elements	Antenna Gain	Amplifier Gain	Noise Figure	Antenna Length
174-230MHz 470-862MHz	75 $\Omega$	8	3-5dBi 8-10dBi	18dB	<4dB	465mm

### PSU Specification

Frequency Range	Power Input	Power Output	Insert Loss	Operating Temperature Range	Short-circuit Protection
40-862MHz	AC110V 60Hz	DC12V 100mA	0.8dB	0-40°C	Orange LED turns red if short-circuit happens

### How To Install



- Step 1. Unfold the VHF elements (U-shape, next to the bracket) until they're at right angel to the plastic boom, then fix them with the wing nuts (Refer to Graph. A).
- Step 2. Attach the antenna to a pole towards the direction of your local TV tower, then fix it with the bracket and tighten the wing nuts (Refer to Graph. B).
- Step 3. Use a piece of coaxial cable to connect the F connector on the antenna, and the F connector on the PSU marked "IN".
- Step 4. Use a piece of coaxial cable to connect the F connector on the PSU marked "TV", and the Antenna Input on your set-top box or digital TV set.
- Step 5. Plug the PSU into a socket, turn ON your TV and run a channel scan. If you're not receiving all your local channels, you may try to adjust the direction of the antenna in order to find out the correct direction of your local TV tower. Don't forget to re-scan the channels every time you change the antenna's direction.

## How to install the J-shape Pole

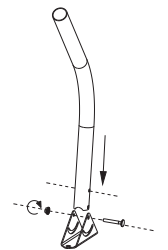


**Mounted on ground**

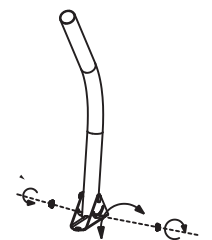


**Mounted on wall**

Step 1. Place the J-pole into the mounting base, matching the screw holes. Put the 6\*43mm screw through the mounting base and the pole from one side to the other, and then tighten the nut.



Step 2. Put the two  $\Phi 6*19$ mm screws inside the J-pole and make them come out from the holes on both sides, and tighten the nuts slightly. Adjust the pole to the suitable position and tighten the nuts firmly.



Step 3. Fix the mounting base on the wall or ground with the plastic anchor bolts.

