

说明书形式为三折页

尺寸：355.5X216mm

材质：铜版纸120g

背面

正面

## 2. Mount the Antenna

Find a convenient indoor location to mount your antenna, then scan for channels using the instructions below.

**Note:** Before final mounting, first test your selected antenna location by scanning for channels. In some instances, you may decide to relocate the antenna for better reception. See below for additional tips for optimal antenna placement.

If you do not wish to mount the antenna to a wall or window, you can purchase the 1byone® accessory antenna stand Model #00000-0366(black) and #201US-0001(white) for convenient desk or tabletop placement.

Note: Antenna stand is sold separately. [www.1byone.com](http://www.1byone.com)

## 3. Scan TV for Channels

- In the TV's setup menu, set the mode to 'Antenna' or 'Air.' Refer to the TV manual for detailed instructions.
- While in the TV's setup menu, set TV to scan for channels. This can sometimes be listed as 'auto-program,' 'channel search,' or 'channel scan.' Refer to your TV manual for detailed instructions.
- If you are about 25-35 miles away from the tower, we recommend to switch off the inline amplifier (when yellow light is on).  
If you are about 35-50 miles away from the tower, we recommend to switch on the inline amplifier (when green light is on).

Note: If you want to know how many channels you can expect to receive, please refer to "How many channels can I receive?" in FAQ below.

## Antenna Placement Options and Tips

Signal reception and quality depends on the distance from the broadcast tower to your home. Surrounding geography and environment may also affect signal strength and reception.

If your reception is sporadic or needs to be improved, try the helpful tips below:

- Place the antenna in a higher location.
- Face the antenna towards the nearest broadcast tower.
- Place the antenna close to or on a window.
- If you find the channels are less than expected, please switch the amplifier to the "on" and "off" position separately, and do remember to do a channel scan every time you switched. Please do remember to connect the power adapter to the inline amplifier no matter the amplifier is in the "on" or "off" position, otherwise the antenna won't work properly.

**Important:** Always re-scan for channels whenever you move your antenna.

## Frequently Asked Questions

### How many channels can I receive?

The number of channels you can receive will be determined by what is broadcast in your area. Channel reception will vary from location to location based on terrain (including trees, buildings, hills and mountains). The fewer obstructions, the better your chance of receiving strong digital signals. Go to <http://dtv.gov/maps> and enter your address for a listing of likely channels available in your area.

### Will all the channels I receive be High Definition (HD)?

Not all digital signals are High Definition (HD). Make sure you are using a High Definition Television (HDTV) with built in ATSC tuner. When connecting the antenna to a third-party receiver (set-top box), make sure it is capable of receiving HD. Otherwise no HD channels can be viewed.

### Will picture quality be better than with cable?

All cable companies compress their HD signals. The result is a degraded signal that is usually inferior to ATSC broadcast. Many factors determine whether your picture quality will be better in every instance. However, your picture quality should improve using your 1byone® ATSC compatible digital antenna.

### Can I connect the antenna to multiple televisions?

Yes. However, the signal should only be split between multiple HDTVs if using an amplified antenna.

## Troubleshooting

### What if I can't receive a signal with my 1byone® antenna?

- Check to make sure you have correctly connected the antenna to your HDTV or third-party HD receiver. See "Connect the Antenna to TV or Set-top Box" in this manual.
- Re-scan for channels. See "Scan for Channels" in this manual.
- Reposition the antenna in a different location, such as higher on a wall or closer to a window. Also try facing the antenna directly towards the broadcast tower. Signal strength will vary based on the surrounding conditions. Distance from the tower, and surrounding hills, buildings and even tall trees can impact reception. Always re-scan for channels after moving the antenna.

### One channel is missing.

- Something may be obstructing the signal. Move the antenna and re-scan re-scan for channels.
- Turn the antenna 10-20 degrees in either direction and re-scan for channels.

### The picture or sound freezes while I am watching a channel, or there are boxes in the picture.

This is often caused by a weak or intermittent signal. Try moving the antenna to a different location or aiming it in the direction of the tower the channel is being broadcast from.

## For Optimal Performance

Place your 1byone® antenna in the location with the strongest reception. Typically this will be on a window and facing the broadcast tower. A television signal can become weak or intermittent when passing through walls that are exceptionally thick or contain large amounts of metal. Your 1byone® antenna can usually pick up the stronger signals from almost any direction. Experiment with different walls and even different rooms to find the best location to mount your antenna. To check the exact distance from your residence to the nearest tower, go to <http://dtv.gov/maps> and type in your zip code. You will then have a better idea of what you should expect in the way of reception. If there are multiple tower locations, optimize the position of your 1byone antenna by pointing it in the direction of the weakest signal (usually the farthest away from you).

Distributed by  
**1byone® Products, Inc.**  
2313 E Philadelphia St, Ontario, CA 91761

[www.1byone.com](http://www.1byone.com)

50 mile maximum range possible. Individual experiences may vary.



## Amplified Digital Indoor HDTV Antenna Shinny White Series - 50 Miles Range

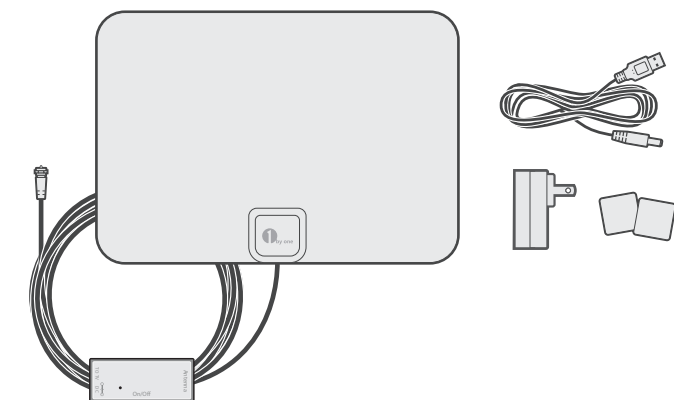
Model OUS00-0566



**Congratulations!** You have just purchased the most technologically advanced, easy-to-install, indoor HD digital antenna available. **1byone®** products have been consistently rated as "best sellers" and we hope your investment in this quality antenna will give you and your family enjoyment for years to come. Thank you for your purchase and your support. We invite you to visit our website at [www.1byone.com](http://www.1byone.com) for other high-quality products.

### Package Contents -

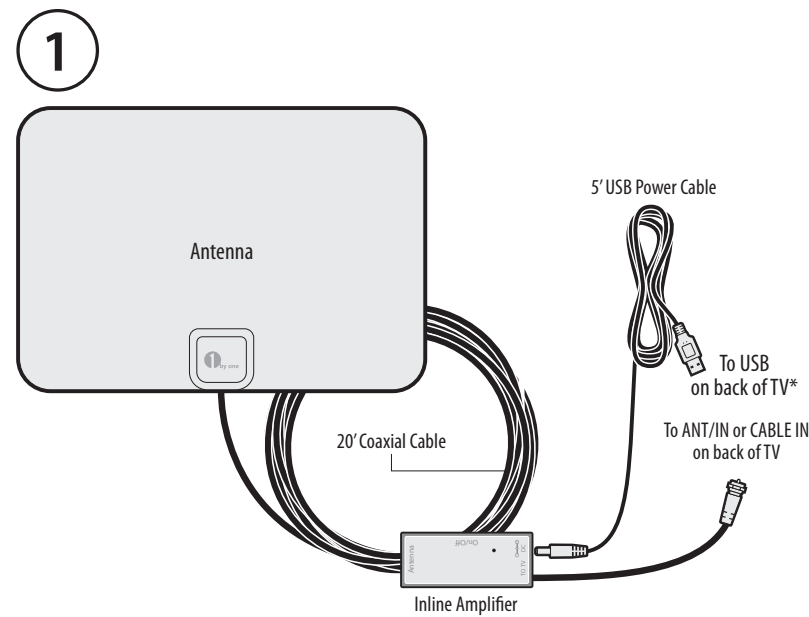
Antenna with Inline Amplifier and 20ft Coaxial Cable  
5ft USB Power Cable  
Optional 5V 100mA USB Adapter  
3M Adhesive Mounting Stickers  
Instruction Manual  
Warranty Card



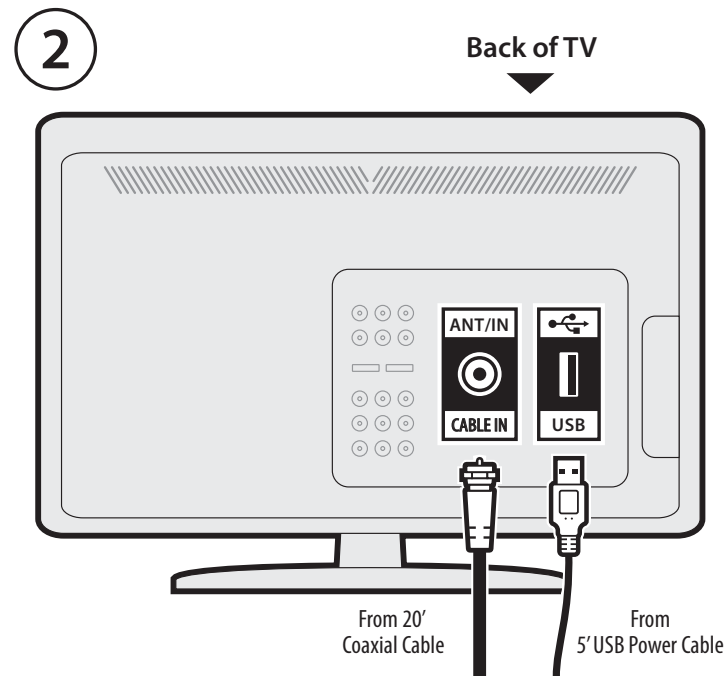
[www.1byone.com](http://www.1byone.com)

## 1. Connect Antenna to TV or Set-top Box

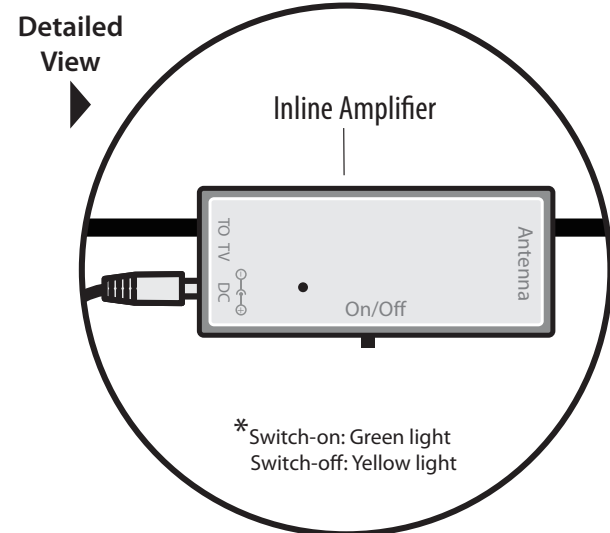
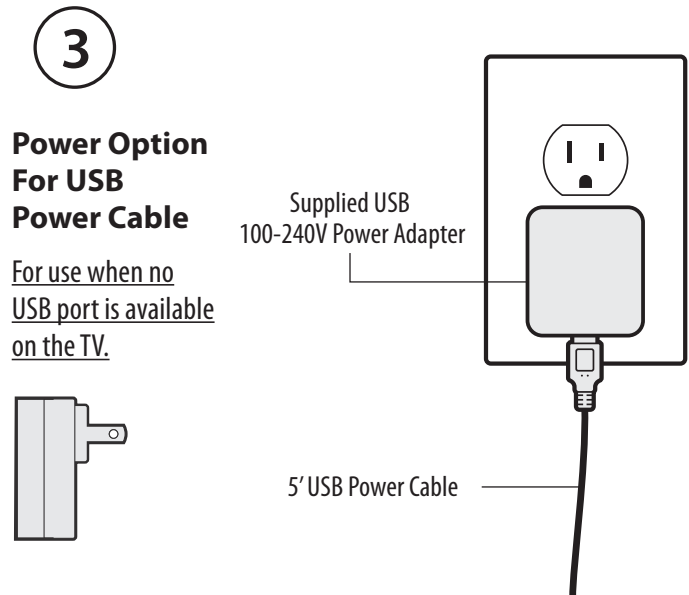
**A.** Before your connection, please read the below names and use for the antenna parts(as shown in figure 1).



**B.** Connect the coaxial cable from the antenna to the **ANT/IN** or **CABLE IN** port on the back of your TV (as shown in figure 2). Note: For TV's that require a tuner box, connect the coaxial cable from the antenna to the tuner box's **ANT/IN** or **CABLE IN** port. See the "Final Configuration" Illustrations below for both connection options.

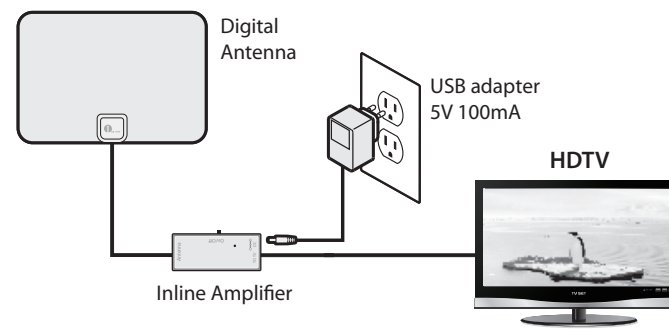


**C.** The amplifier requires power to operate properly. Plug the round end of the amplifier's USB power cable into the amplifier (as shown in figure 1). Then insert the USB plug into an open USB port on the back of your TV (see figure 2). If no USB port is available, use the supplied power adapter to power the amplifier through any standard 110V outlet (see this option in figure 3).



### Final configuration when connected to the HDTV with built in digital tuner

USB Power Cable is showing using 100-240V power adapter\*



\*USB Power Cable may also be plugged into any available USB port on HDTV as well.

### Final configuration When connected through a digital set-top box

