



OMNI-DIRECTIONAL MARINE HDTV ANTENNA

SKU: OUS00-0813



Product features

- Specially compatible with HDTV of various digital terrestrial signal(DVB-T,ISDB-T,DMB-T/H,ATSC) and FM radios.
- The antenna is surface-treated to withstand impacts from saltwater and weather conditions
- Build-in high gain and low noise amplifier, shielded for minimum interference.
- Waterproof housing design made of UV resistant, injection molded ASA material with super durability.
- Omnidirectional antennas receive VHF, UHF, and FM signal from every point regardless of the direction you are travelling.
- The best digital terrestrial TV reception solution for your boating and caravans SMD Technology and micro-electronics makes the high quality amplifier, ensure the excellent antenna performance.

Technical Specification

Frequency range: VHF:47-230MHz
UHF:470-862MHz

Receiving range: FM/VHF/UHF

Gain: 30dB

Noise figure: 3dB

Max. output level: 110dBμV

Impedance: 75Ω

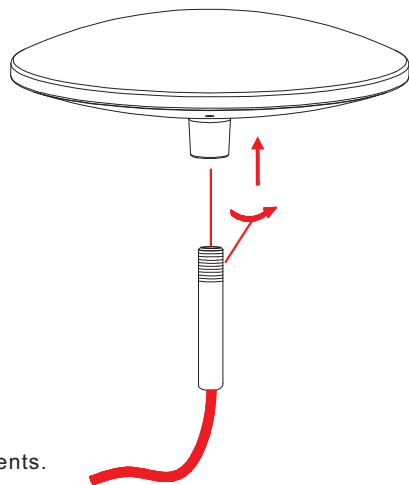
Connector: F-connectors

Power supply: DC 12V

Included in Package:

Before start your installation, please check the contents.

1. Antenna main unit
2. Power supply with gain adjuster
3. DC 12V input wire kits
4. Straight mount(stainless steel)

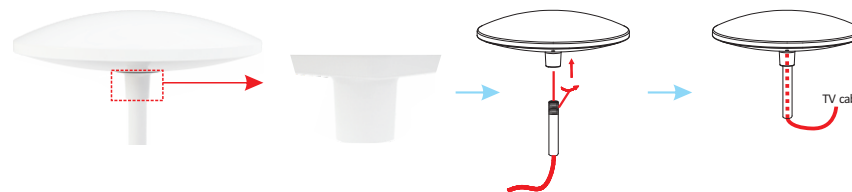


Installation Guide:

STEP 1. Choose Location

Antenna & power supply location determines where and how you run cables, so please install under the following instructions: Choose a location outside the roof which allow easy connection to power supply and television. Make sure the location is flat and have sufficient space. See Figure1.

Figure1

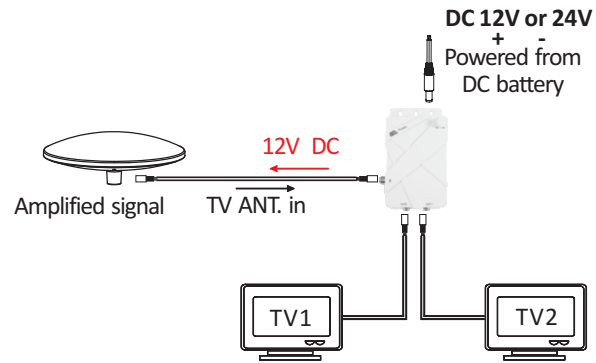


With standard 1"-14 thread in built, compatible with universal extension mast or straight mount.

STEP 2: Connect the antenna to the power supply unit. (See Figure 2.)

1. Connect the cable from Antenna to power supply input.
2. Connect the output connector of the power supply unit to DTV receivers or TVs.
4. Connect the DC 12V input wire kits to the 12V DC jack on the power supply unit; and connect the other end of the wires "+" & "-" to the 12V DC system of yacht.
5. Adjust the gain in power supply unit for best signal reception.

Figure 2



Once the antenna and power supply have been installed and all cables have been properly connected, you must run a channel scan before watching TV in order to receive maximum programs. Run a channel scan as once the antenna is moved or the TV loses a channel. Now you can enjoy the TV program after you finish running a channel scan.

1byone Products Inc.
2313E, Philadelphia Street, Ontario, CA91761
www.1byone.com